

P21183DIV-LE

Ledge Rectangular Drop-In Bathroom Vanity Sink



Please note: All porcelain sinks are fired at a very high temperature, final dimensions may vary slightly.

Features

- Genuine Vitreous China
- Drop-in Style
- Single Compartment
- Rectangular Shaped Bowl
- Single Faucet Mounting Hole

Available Colors



Dimensions

Outer: 21-1/4" x 18" x 6-3/4"

Inner: 17-3/4" x 12-1/4" x 5"

Included Components

Cut-out template

Optional Accessories

Pop-Up Drain
Mounting clips



Product Specification

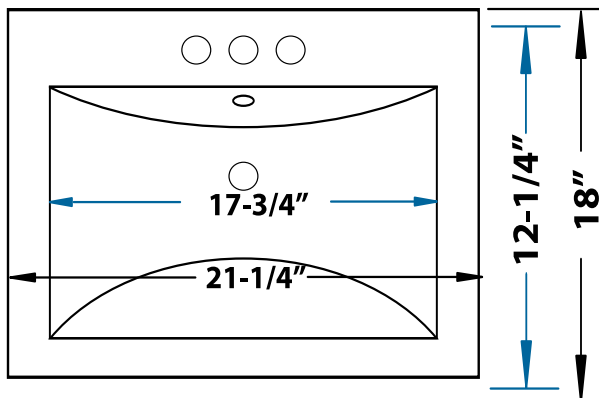
The drop-in vanity sink shall be 21-1/4" in width and 18" in length, with an overall depth of 6-3/4" and an inner bowl depth of 5". Sink shall be a single compartment with oval bowl, composed of Vitreous China, possessing a single faucet mounting hole.

Technical Information

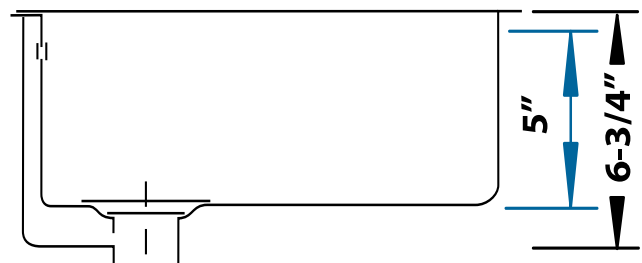
Basin Area: 17-3/4" x 12-1/4"

Water Depth: 5"

Drain Hole: 1-7/8" D



Top View



Side View