

MR30FHA1

Metro CHI (Radial) Stainless Steel Apron Large Single Bowl Kitchen Sink



Features

- Certified 304 Grade 18 Gauge Stainless Steel
- Single Compartment
- 6-1/2" Front Apron
- Fits into most standard cabinets with no cutting
- 20° Inside Corner Rounded "Radial" Bowls for Easier Cleaning
- Unique sound-deadening system with sound pads and a special coating
- Lustrous and enduring finish which compliments any decor
- Limited lifetime warranty



Dimensions

Outer: 30" x 21-7/8" x 9"

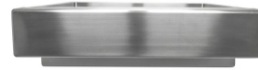
Inner: 26" x 17" x 6-1/2"

Included Components

Cut-out template

Optional Accessories

- Standard Strainer
- Premium Strainer
- Sink Grid



Product Specification

This sink shall be a Front-Apron style single compartment featuring 20° inside rounded corner bowls. It shall be 30" in length and 21-7/8" in width, with a bowl depth of 6-1/2". Sink shall be made of 18 gauge stainless steel. Sink shall include installation hardware.

Limited Lifetime Warranty

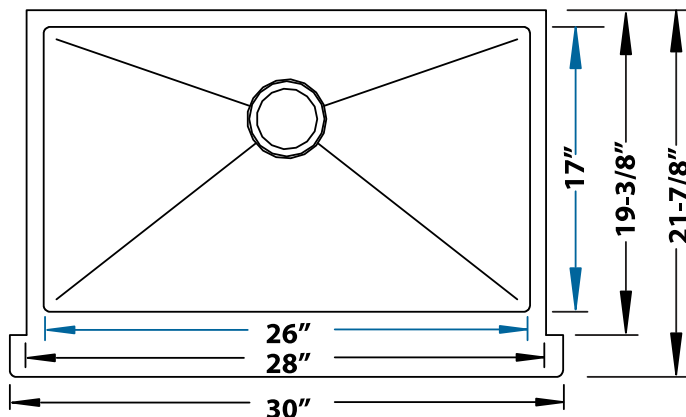
All Rok Hardware stainless steel sinks are warranted for the lifetime of the original purchaser, as long as he/she owns the home it was originally installed in. This includes rusting, warpage, staining, burning, cracking, discoloration, and any other defect due to workmanship or material failure. This warranty DOES NOT include damage due to installation or usage abuse.

Technical Information

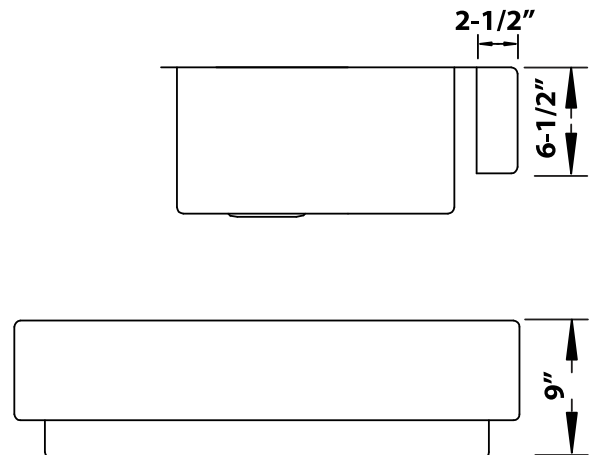
Basin Area: 26" x 17"

Water Depth: 6-1/2"

Drain Hole Diameter: 3-5/8"



Top View



Side View