

MR23U1ADA

# Metro PB (Radial) Stainless Steel Undermount Medium Single Bowl

ADA-Complaint



### Features

- Certified 304 Grade 18 Gauge Stainless Steel
- Undercounter Style
- ADA-Compliant (when installed according to ADA mounting guidelines)
- Single Compartment
- 15° Inside Corner Rounded "Radial" Bowl for Easier Cleaning
- Unique sound-deadening system with sound pads and a special coating
- Lustrous and enduring finish which compliments any decor
- Limited lifetime warranty

### Dimensions

Outer: 23-1/2" x 18" x 5-1/2"

Inner: 21-1/2" x 16-1/2" x 5-1/2"

### Included Components

- Mounting Clips
- Cut-out template

### Optional Accessories

- Standard Strainer
- Premium Strainer

### Product Specification

This ADA-Compliant under-counter sink shall be a single compartment with 15° inside rounded corner bowl. It shall be 23-1/2" in length and 18" in width, with an overall depth of 5-1/2". Sink shall be made of 18 gauge stainless steel. Sink shall be ADA-Compliant when installed according to ADA mounting guidelines. Sink shall include installation hardware.

### Limited Lifetime Warranty

All Rok Hardware stainless steel sinks are warranted for the lifetime of the original purchaser, as long as he/she owns the home it was originally installed in. This includes rusting, warpage, staining, burning, cracking, discoloration, and any other defect due to workmanship or material failure. This warranty DOES NOT include damage due to installation or usage abuse.

### Technical Information

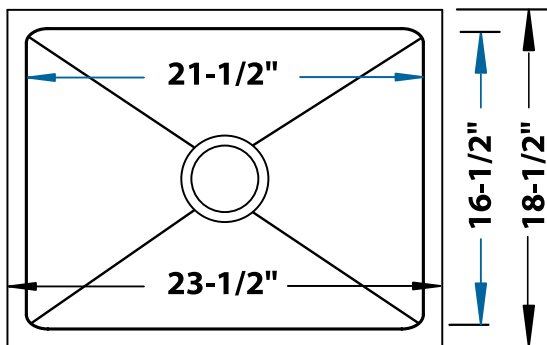
Basin Area: 21-1/2" x 16-1/2"

Water Depth: 5-1/2"

Drain Hole Diameter: 3-5/8"



Metro Series offers 18 Gauge Thick Handmade Sinks with many available in Radial (rounded inner corner) or Zero Edge (square inner corner) styles or Radial ADA-Complaint.



Top View



Side View