

Medium-Duty

100 lb. Load Class

1/2" Side Clearance

Max. Drawer Width: 24"



GS4260 Push-Open Drawer Slide

Manufactured by KV Asia in Taipei, Taiwan, KV GSlide is our best-in-class ball-bearing import slide. The KV GS4260 Series 100 lb. Push-Open drawer slide is ideal for drawer fronts where no knobs, handles or pulls are desired.

Applications

- Wood residential and commercial furniture
- Architectural, laboratory and school casework
- Store fixtures and displays
- Storage drawers

Specifications

Model: GS4260 Push-Open Drawer Slide

Mounting: Side

Disconnect: Lever

Material: Steel

Hole Pattern: 32mm and Traditional

Type: Ball-Bearing

Travel: Full Extension

Finish: Zinc (ZC)

Length: 250mm, 300mm, 350mm, 400mm, 450mm,
500mm, 550mm, 600mm, 650mm, 700mm

Clearance: .50" + .03"-0" on each side

Height: 1.79" [45.5mm]

Packaging: 10 Pair and 1 set of instructions per box

Action: Telescopic movement on ball-bearings

Slide Configuration: Unhanded

Rating

Load: 100 lb.

Max. Recommended Drawer Width: 24"

As with all Knap & Vogt drawer slides, the GS4260 is designed to meet or exceed performance standards as established by BIFMA, BHMA and KCMA

Accessories

GS4340 RB: Metal Rear Mounting Bracket (not included)

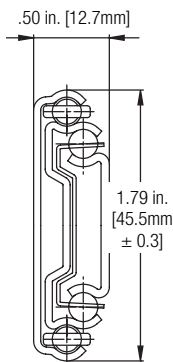
Hardware

#7 x 1/2" Phillips Pan Head

Warranty

Limited Lifetime Warranty

Profile



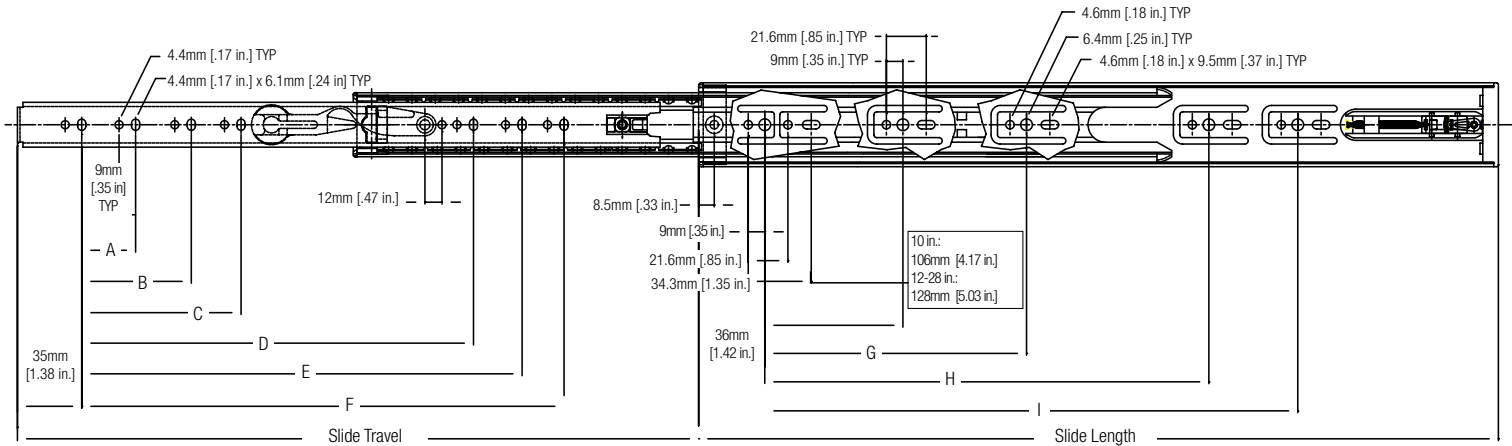
Clearance

1/2" + 1/32"-0"

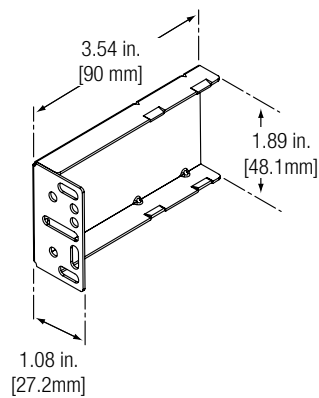
.50" + .03"- 0"

12.7mm + .8mm - 0mm

Charted Information



SKU Number	Slide Size mm/inch	Length mm/inch	Travel mm/inch	A mm/inch	B mm/inch	C mm/inch	D mm/inch	E mm/inch	F mm/inch	G mm/inch	H mm/inch	I mm/inch
GS4260 10	250mm [10"]	250mm [9.8"]	238mm [9.37"]	—	—	—	—	—	156mm [6.14"]	—	—	—
GS4260 12	300mm [12"]	300mm [11.8"]	305mm [12.00"]	—	—	—	—	—	200mm [7.87"]	—	—	—
GS4260 14	350mm [14"]	350mm [13.78"]	356mm [14.0"]	96mm [3.78"]	—	—	—	—	256mm [10.08"]	192mm [7.56"]	—	—
GS4260 16	400mm [16"]	400mm [15.75"]	406mm [15.98"]	128mm [5.04"]	—	—	—	—	294mm [11.57"]	224mm [8.82"]	—	—
GS4260 18	450mm [18"]	450mm [17.72"]	457mm [17.99"]	96mm [3.78"]	160mm [6.29"]	—	—	—	344mm [13.54"]	288mm [11.34"]	—	—
GS4260 20	500mm [20"]	500mm [19.69"]	508mm [20.00"]	96mm [3.78"]	160mm [6.29"]	352mm [13.86"]	—	—	394mm [15.51"]	224mm [8.82"]	352mm [13.86"]	—
GS4260 22	550mm [22"]	550mm [21.65"]	559mm [22.00"]	128mm [5.04"]	192mm [7.56"]	384mm [15.11"]	—	—	444mm [17.48"]	224mm [8.82"]	352mm [13.86"]	—
GS4260 24	600mm [24"]	600mm [23.62"]	610mm [24.00"]	128mm [5.04"]	224mm [8.82"]	416mm [16.38"]	—	—	494mm [19.45"]	224mm [8.82"]	352mm [13.86"]	448mm [17.64"]
GS4260 26	650mm [26"]	650mm [25.59"]	660mm [25.79"]	128mm [5.04"]	224mm [8.82"]	416mm [16.38"]	480mm [18.90"]	—	544mm [21.42"]	224mm [8.82"]	352mm [13.86"]	480mm [18.90"]
GS4260 28	700mm [28"]	700mm [27.56"]	711mm [27.99"]	128mm [5.04"]	224mm [8.82"]	288mm [11.33"]	480mm [18.90"]	544mm [21.42"]	594mm [23.39"]	224mm [8.82"]	352mm [13.86"]	544mm [21.42"]



GS4340 RB Metal Rear Bracket



KNAPE & VOGT.
 2700 Oak Industrial Dr. NE
 Grand Rapids, MI 49505-6026 USA
 1.800.253.1561 | 616.459.3311
 Fax: 877.636.3290
 www.kv.com

Manufactured by Knap & Vogt Asia / Taipei, Taiwan. Distributed by Knap & Vogt Manufacturing Company. \

This and other KV literature is available for download at www.kv.com > Resource Library.

Knap & Vogt reserves the right to change product specifications at any time without notice and without incurring responsibility for existing units.

©2016 Knap & Vogt. KV GSlide. KV and the KV logo are trademarks of Knap & Vogt.

OL2261/0516