

AXOR Starck
Single-Hole Faucet 250, 1.2 GPM
 Product Finish: **brushed nickel** Part no. : **10129821**



Features

- Spray modes: Aerated spray
- Flow: 1.2 GPM (4.5 L/Min)
- Ceramic cartridge
- Does not include: Pop-up assembly

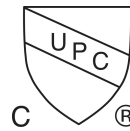
Item details

List Price \$ 1,970.00

Technology



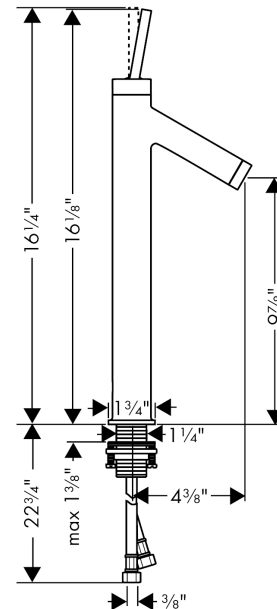
Compliance



Product image



Scale drawing

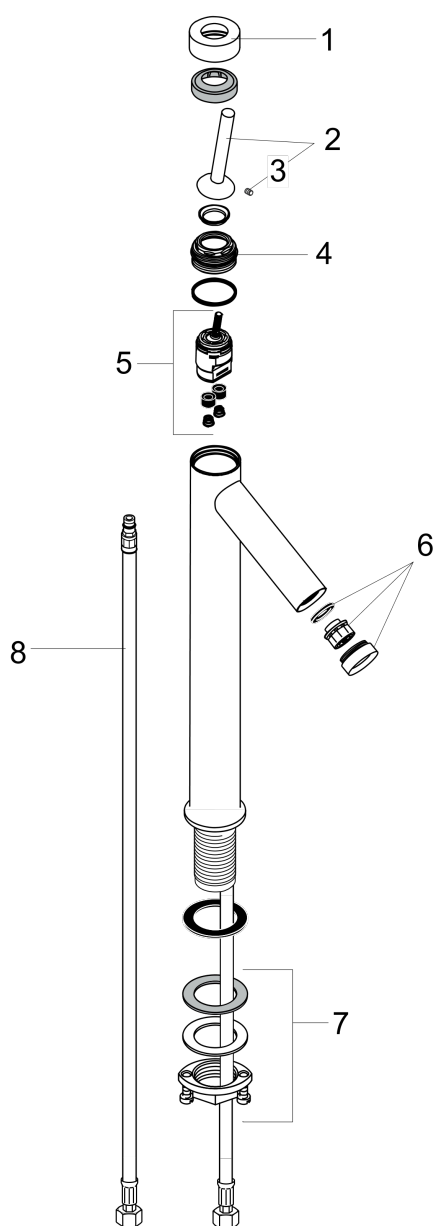


AXOR Starck
Single-Hole Faucet 250, 1.2 GPM
Product Finish: **brushed nickel** Part no. : **10129821**



Exploded drawing

Year of production: >07/16



AXOR Starck
Single-Hole Faucet 250, 1.2 GPM
 Product Finish: **brushed nickel** Part no. : **10129821**



Spare parts list

Year of production: >07/16

Pos.		Part no.	Price	PU
1	flange	97155820	-	1
2	handle	10092820	-	1
3	hollow set screw M4x6	97767000	-	1
4	nut	97157000	-	1
5	cartridge, assy	96339000	-	1
6	aerator M24x1 (4,5 l/min)	92812820	-	1
7	fixing set (Ø 32)	13961000	-	1
8	connection hose 35½" M8x0,75 3/8"	96316001	-	1
a	O-ring 21,95x1,78	95169000	-	1
b	pop up waste	88509820	-	1
c	service tool for disassembling the handle	92124000	-	1