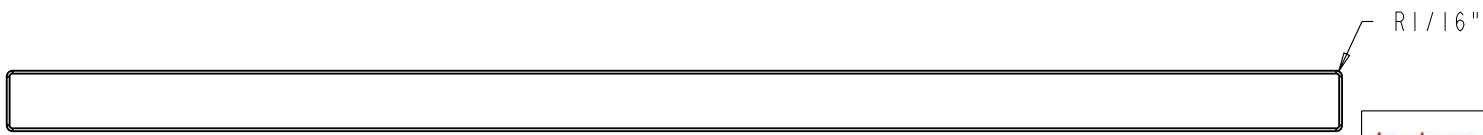
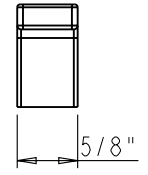
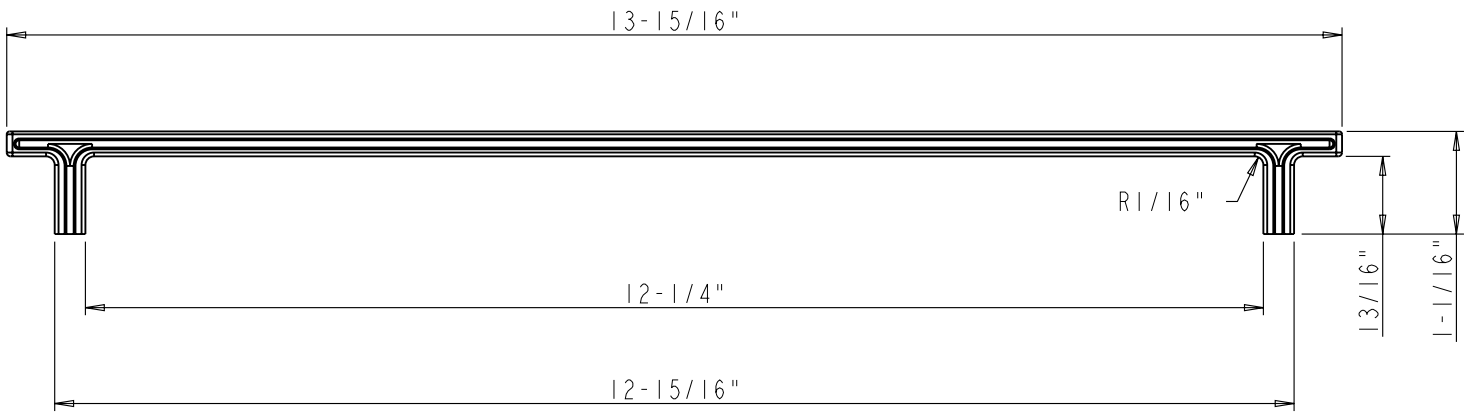
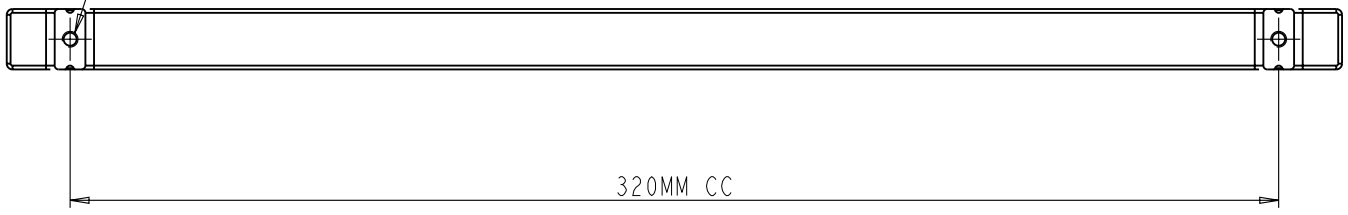


8-32 UNC - DRILL_DEPTH 5/8"
SCREW_DEPTH 1/2"



| | | | | |
|--|--|----------------|------------|----------|
| <p>hardware resources</p> <p><small>PROPRIETARY AND CONFIDENTIAL</small></p> <p><small>THE INFORMATION CONTAINED IN THIS DRAWING IS THE SOLE PROPERTY OF HARDWARE RESOURCES INC. ANY REPRODUCTION IN PART OR AS A WHOLE WITHOUT THE WRITTEN PERMISSION OF HARDWARE RESOURCES INC. IS PROHIBITED.</small></p> <p><small>DO NOT SCALE DRAWING</small></p> | ITEM#: | 867-320 | MATERIAL: | ZINC |
| | FINISH: | | WEIGHT: | 265.39 g |
| | TOLERANCE UNLESS OTHERWISE SPECIFIED: | | PROJECTION | |
| | I ±0.20 X.X ±0.10 X.XX ±0.05 ANGULAR: ±0.5° | UNITS: | DRAWN BY: | DATE: |
| SIZE: | A4 | APPROVED BY: | DATE: | |
| SHEET: | 1 OF 1 | RELEASE LEVEL: | REVISION: | |