

**Focus**  
**Bar Faucet, 1.5 GPM**  
 Surface: **steel optic** Part no. : **04507801**



**Description**

**Features**

- Swivel range 150°
- Aerated spray
- Deck mounted
- Flow: 1.5 GPM (5.7 L/Min)
- Ceramic cartridge
- 3/8" connections

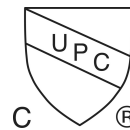
**Item details**

List Price \$ 550.00

**Technology**



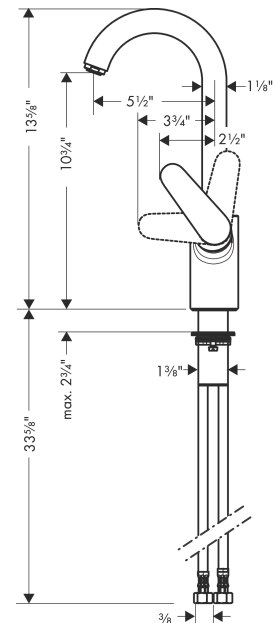
**Compliance**



**Product image**



**Scale drawing**

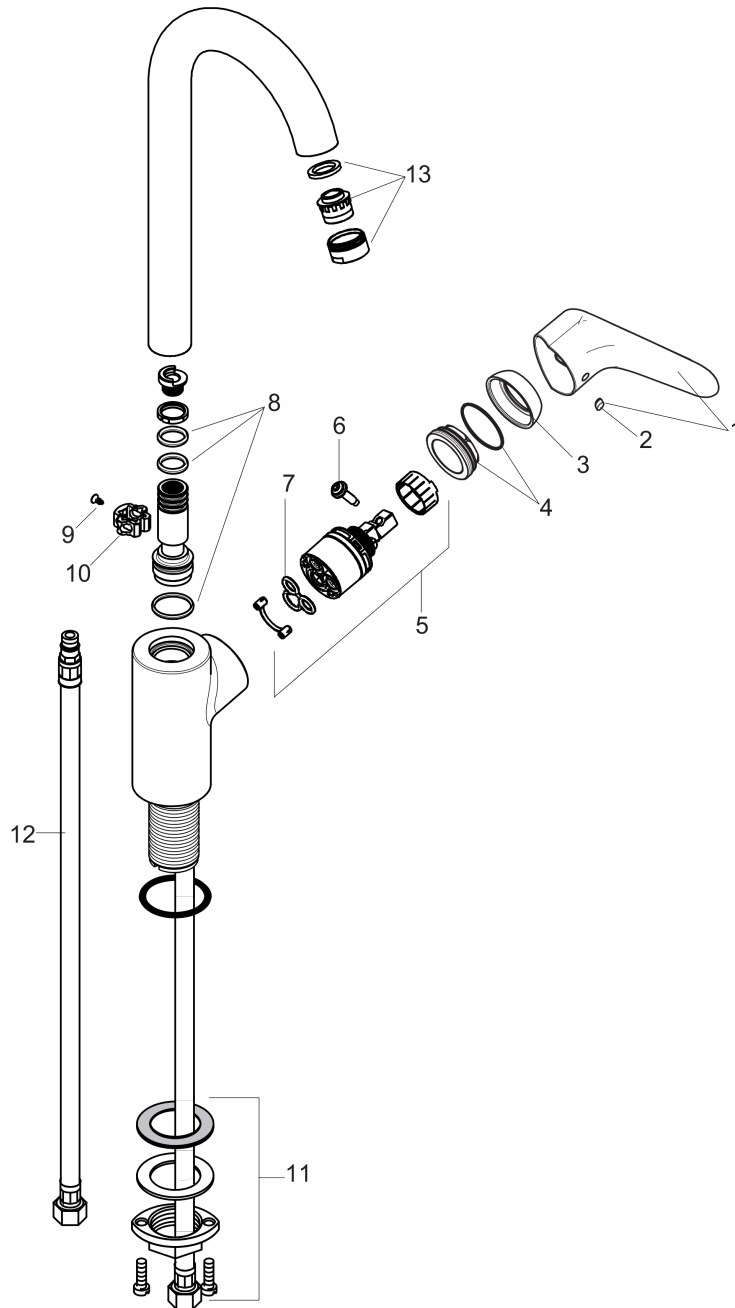


**Focus**  
**Bar Faucet, 1.5 GPM**  
 Surface: **steel optic**    Part no. : **04507801**



Exploded drawing

Year of production: >10/18



**Focus****Bar Faucet, 1.5 GPM**Surface: **steel optic** Part no. : **04507801****Spare parts list**

Year of production: &gt;10/18

| Pos. | Description                       | Part no. | Price | PU |
|------|-----------------------------------|----------|-------|----|
| 1    | handle                            | 98460800 | -     | 1  |
| 2    | screw cover                       | 96338000 | -     | 1  |
| 3    | flange                            | 95498800 | -     | 1  |
| 4    | nut                               | 97209000 | -     | 1  |
| 5    | cartridge, assy                   | 92730000 | -     | 1  |
| 6    | locking screw for handle          | 95140000 | -     | 1  |
| 7    | seal                              | 95008000 | -     | 1  |
| 8    | sealing set                       | 92646000 | -     | 1  |
| 9    | screw                             | 97662000 | -     | 1  |
| 10   | axialring                         | 97558000 | -     | 1  |
| 11   | fixing set (Ø 34)                 | 95049000 | -     | 1  |
| 12   | connection hose 35½" M8x0,75 3/8" | 96316001 | -     | 1  |
| 13   | aerator M24x1 (5 l/min)           | 88744800 | -     | 1  |